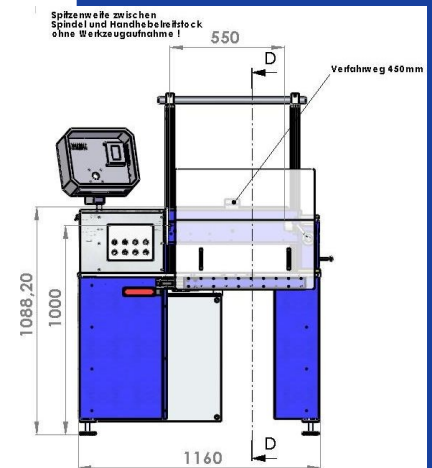
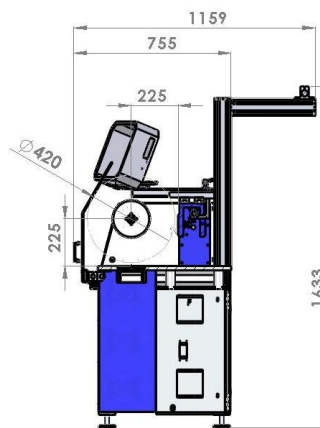


LW-30 Table Linear Winding Machine



The LW-30 is designed for all general and high precision linear winding applications. Required speed and torque range can easily be changed by the pre installed transmission gears.

The LW-30 is a typical universal winding machine with medium traverse width and tailstock. Typical applications are winding jobs with high number of turns. The LW 30 is mostly used as an economical table machine for small and medium size coils. The controller is available in all languages. The programs can be easily created by a 10,4" touch screen. The machine has USB connection for import or export of winding programs. The programs can also be read and created by Excel. A connection to a network is possible, as well an internet connection by a modem for remote system check of our service personal. A wide range of accessories are available for this machine too.

TECHNICAL DATA:

Wire range	0,01 – 3 mm
Traverse length	450 mm
Max. coil diameter	400 mm
Max. pitch	99 mm
Drive motors.....	2 Servos
Main motor brushless	1,5 Kw
Traverse motor brushless	400 w
Program display	10.4 "Colour
Display	Touch Screen
PC connection	Yes
Downloading prog.	USB
Software languages.....	All Languages
Accuracy of pitch.....	0,001 mm
Weight approx.....	250 Kg
Supply voltages.....	1ph 230 V / 16A